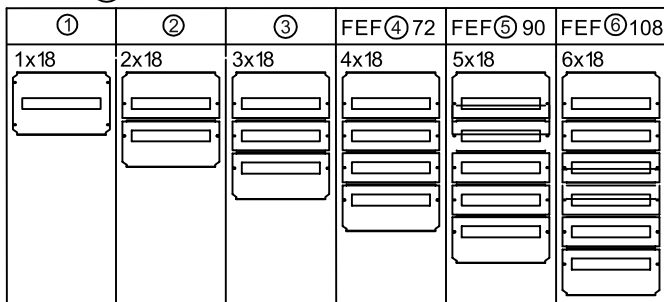
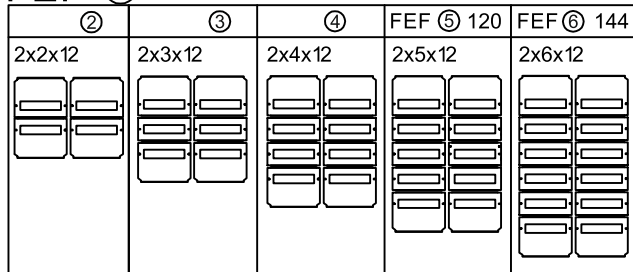


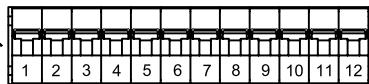
### FEF ①



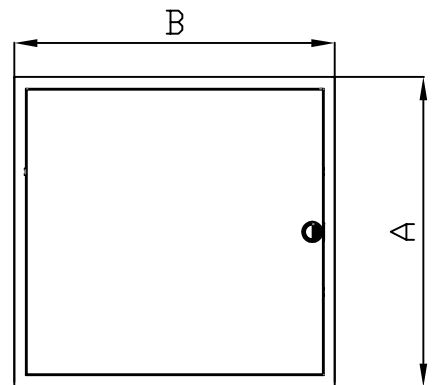
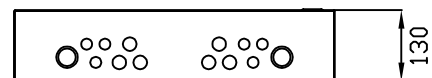
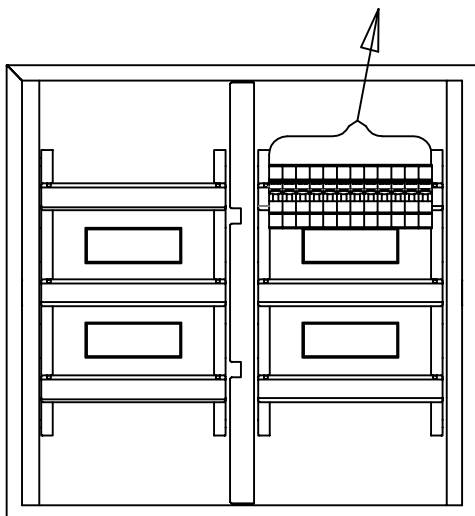
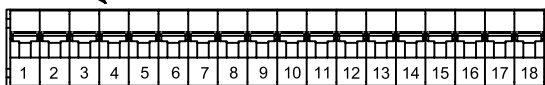
### FEF ②



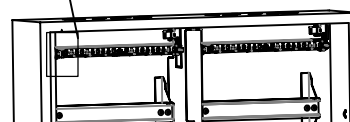
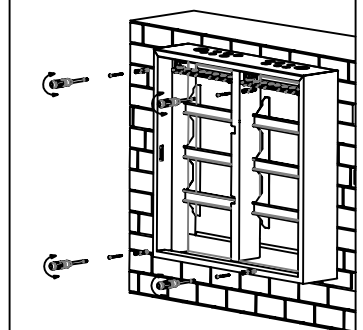
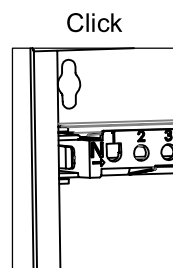
### FEF 2 2 ⑫

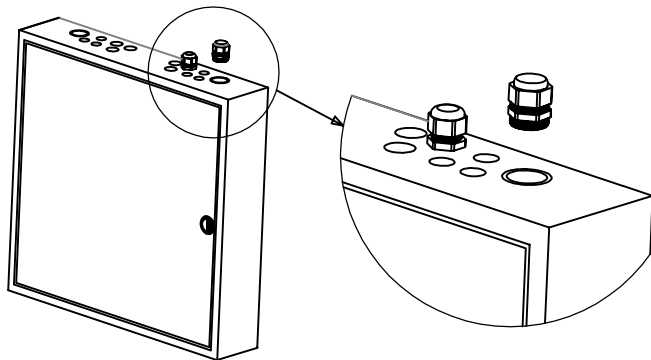


### FEF 1 1 ⑮

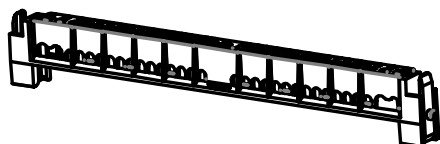
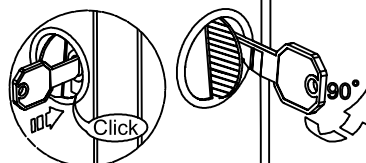
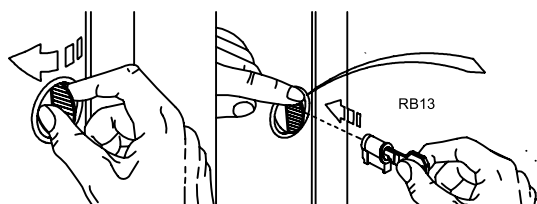
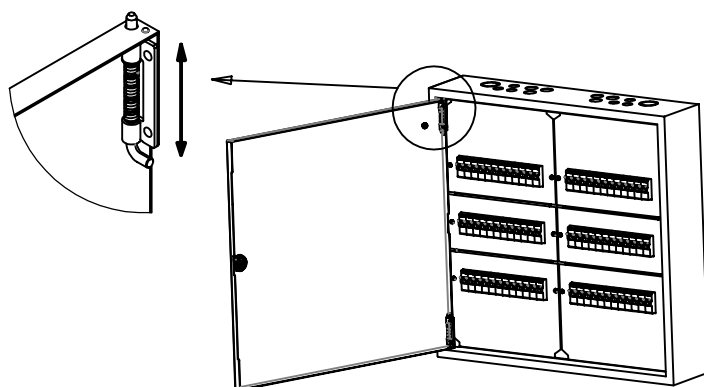
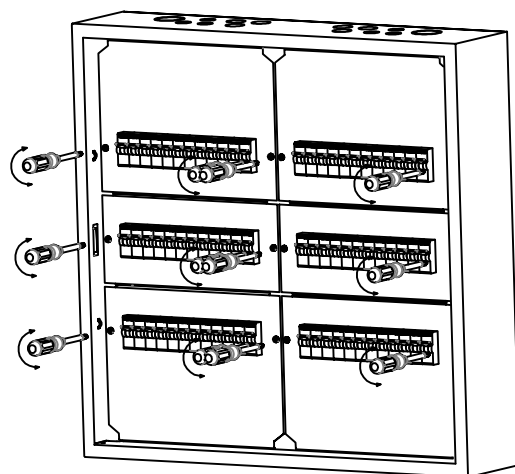


	A [mm]	B [mm]	T [°C]	
FEF72RBS	843	613	(-15)-(60)	72 mod (4x18)
FEF90RBS	968	613	(-15)-(60)	90 mod (5x18)
FEF108RBS	675	450	(-15)-(60)	108 mod (6x18)
FEF120RBS	800	450	(-15)-(60)	120 mod (2x5x12)
FEF144RBS	925	450	(-15)-(60)	144 mod (2x6x12)
FEF168RBS	1091	613	(-15)-(60)	168 mod (2x7x12)
FEF192RBS	1216	613	(-15)-(60)	192 mod (2x8x12)





	20	25	32/40
FEF 1	6	4	1/1
FEF 2	6	6	2/2



	⚡		⚡	
	N	⊥	N	⊥
	2(216)+(1410)	2(216)+(1410)	2(210)+(146)	2(210)+(146)
	2(216)+(1410)	2(216)+(1410)	2(210)+(146)	2(210)+(146)
	4(216)+(1410)	4(216)+(1410)	4(210)+(1410)	4(210)+(1410)
	4(216)+(1410)	4(216)+(1410)	4(210)+(1410)	4(210)+(1410)
	4(216)+(1410)	4(216)+(1410)	4(210)+(1410)	4(210)+(1410)
	(216)+(1410)	(216)+(1410)	(210)+(146)	(210)+(146)
	(216)+(1410)	(216)+(1410)	(210)+(146)	(210)+(146)
	1525	1525	1516	1516
	1525	1525	1516	1516
	1525	1525	1516	1516
	1525	1525	1516	1516

RB12	RB09	RB16	
RB13	RBA1	RBA2	